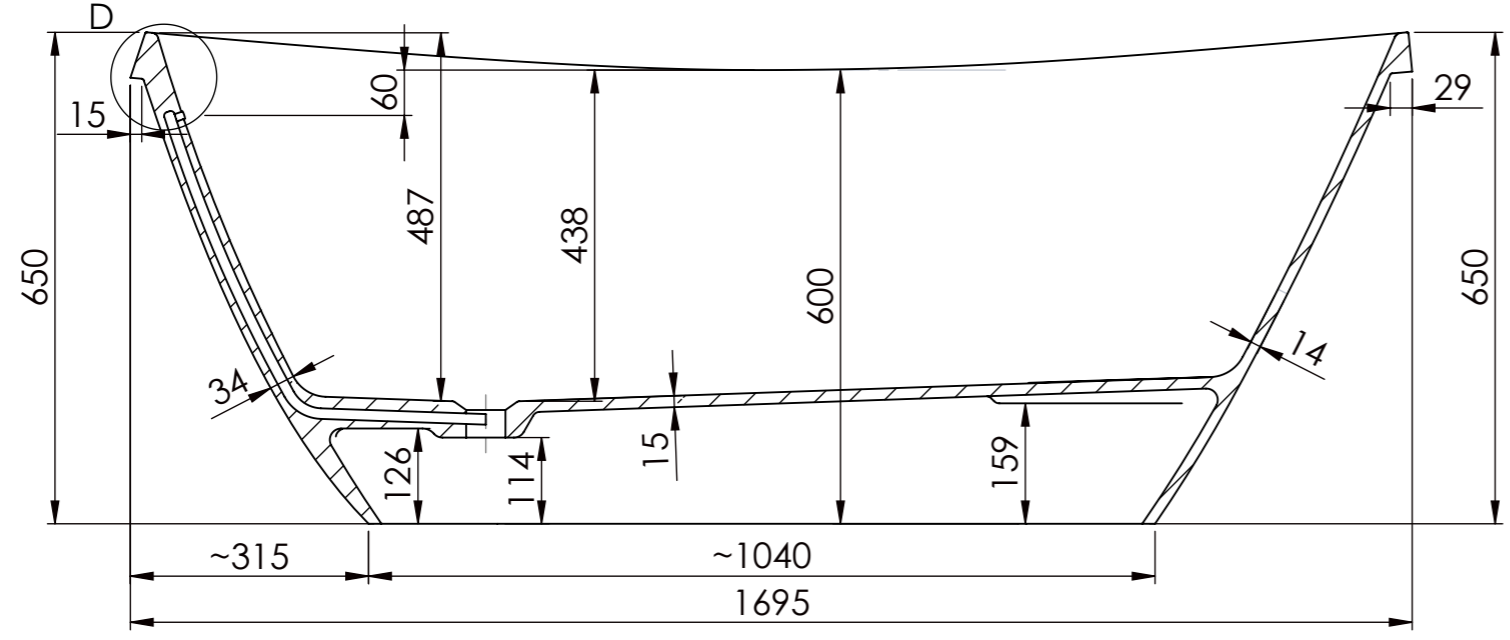


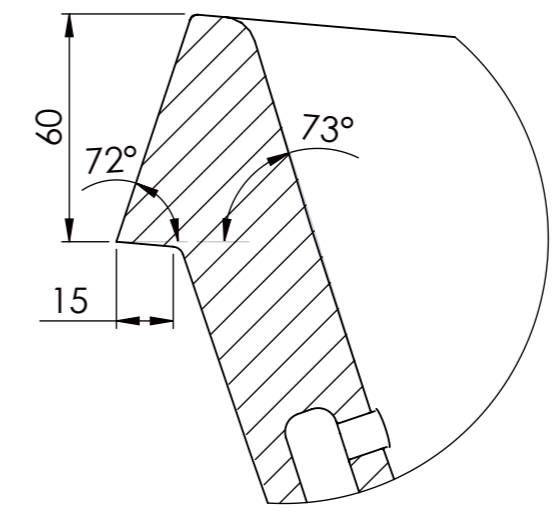
This document must not be copied without our written permission, and the contents thereof must not be imparted to a third party nor be used for any unauthorized purpose. Contravention will be prosecuted.

Rev	Design Change Note	Author	Date
A	Internal validation	ZP	2015-03-09
001	First issue - proposal	RB	2015-07-09
002	Name changed from DESIGN 1 to BEAUTY	ZP	2015-07-21

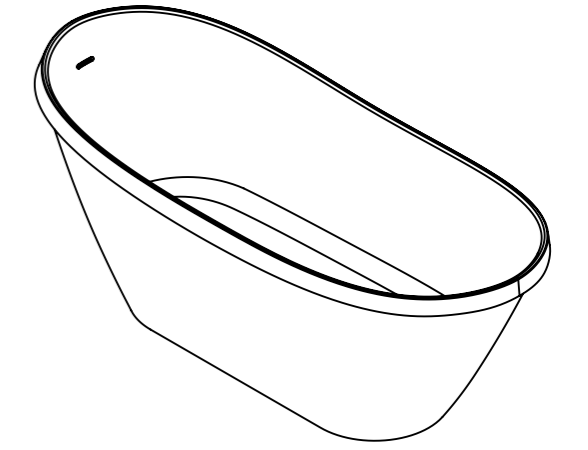
A-A (1 : 10)



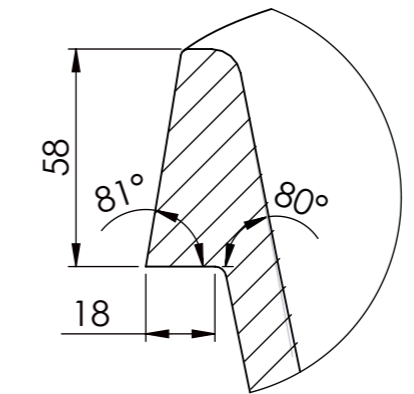
D (1 : 2)



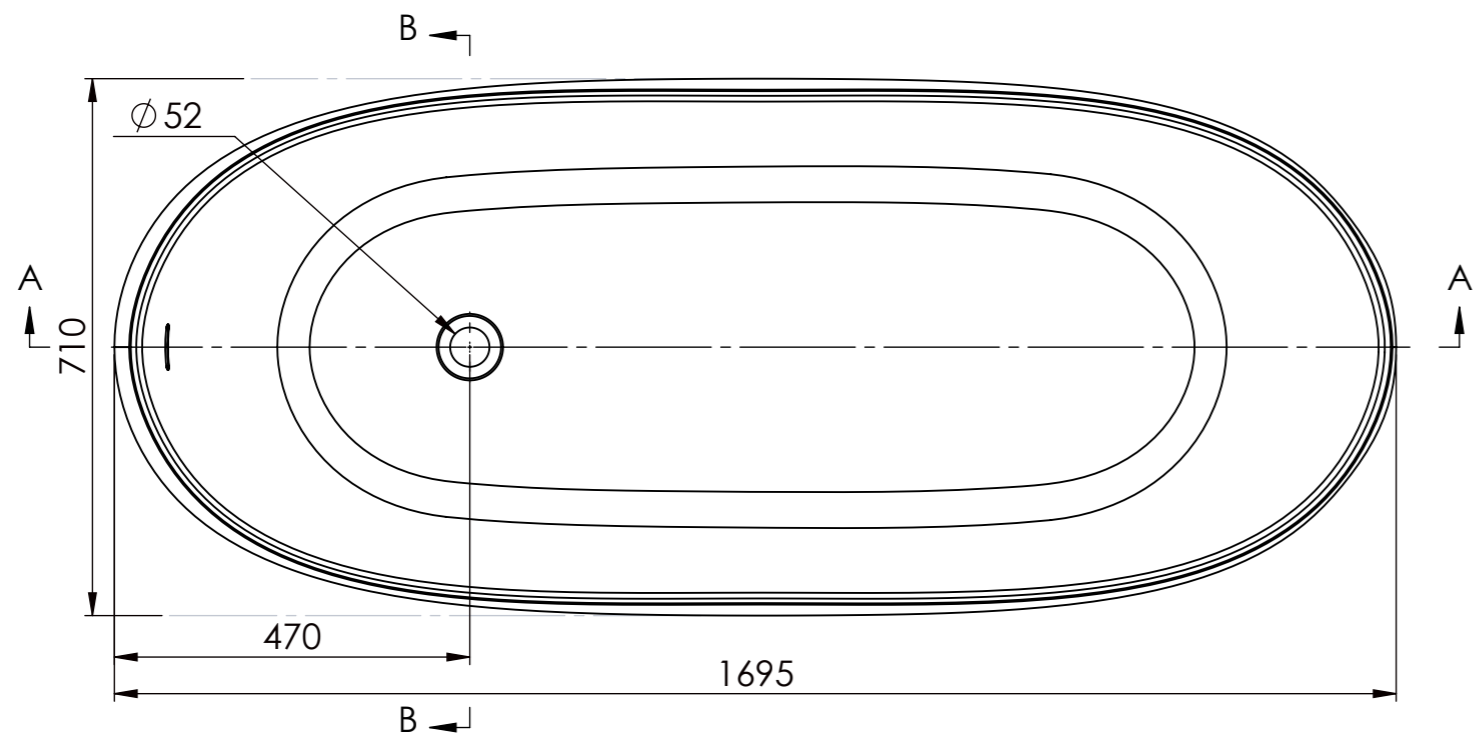
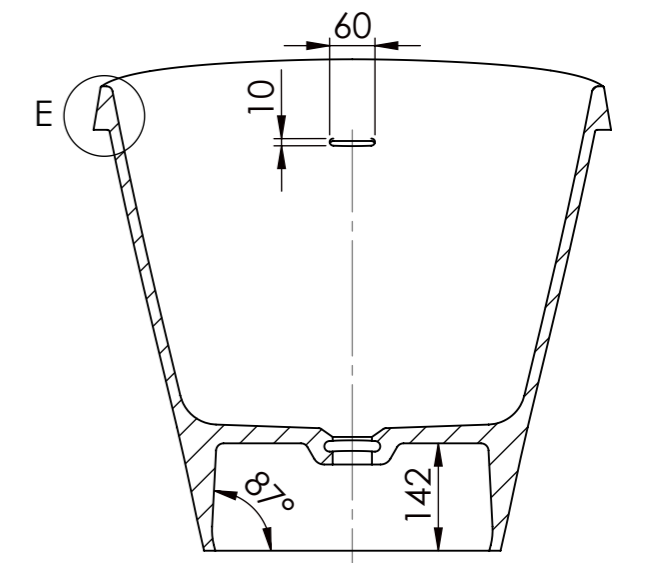
B-B (1 : 10)



E (1 : 2)

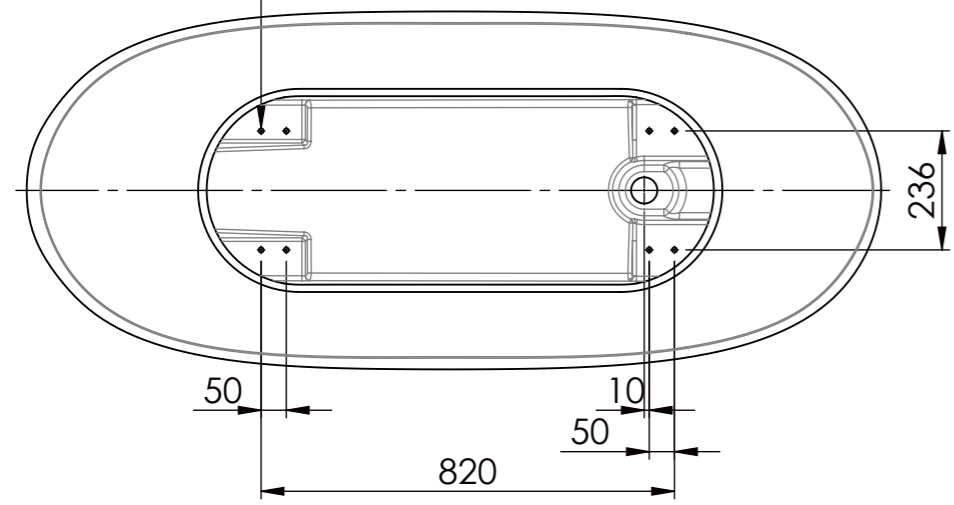


E



Bottom view/
Widok z dołu

(8X)M10 Note3



Notes/Uwagi:

1. Water volume (full bathtub) 260 l / objętość wody (pełna wanna) 260 l
2. Water volume (to overflow) 210 l / objętość wody (do przelewu) 210 l
3. M10 steel bearings/M10 kołki stalowe

Tolerance length/width/height	+10/-10 mm	Drawn by	Zbigniew P	Created Date	2015-03-02	Checked by	Rafal B	Art. Name:	BEAUTY 1695		
Tol. plane bending	≤800 mm	+1,5/-1,5 mm	Project status	Client	Approved	PGC	Customer ID:	Art. No.:	ZP150302A1700		
	>800 mm	+3/-3 mm						Mould No.:	xxxx		
Tolerance holes location	+3/-3 mm							Material volume [mm ³]	52185498		
Tolerance holes diameter	+1/-1 mm					Overflow	Integ.	Taphole	0		
Tolerance wall thickness	+1/-1 mm					Main dimensions L x W / H [mm]	1695 x 700 / 650		Drain	Regular	
Tolerance feet location	+5/-5 mm					Surface area [mm ²]	5362612	Sheet Size	A3	Scale	1:20
								Current revision		002	

